

**JAN-FEB 2025 Specials**

In-store at Perth branch only. Limited stock available

### H7R WORK HEADLAMP RECHARGEABLE 1000 LUMEN BOOST

- ◆ Beam Distance: 250 m
- ◆ Battery Type: Fully rechargeable - 1 x Li-on 4800mAh battery pack
- ◆ Lumens Output: 1,000 lm
- ◆ IP Rating: IP67
- ◆ Weight: 282 g
- ◆ Run Time: Up to 60h



**\$190**  
excl.GST

SKU
1138-01026

### H7R CORE TORCH RECHARGEABLE 1000 LUMENS BOOST

- ◆ Beam Distance: 250m
- ◆ Battery Type: 4800 mAh Li-on battery
- ◆ Lumens Output: 1000 lm
- ◆ IP Rating: IP67
- ◆ Run Time: 65h (max)



**\$130**  
excl.GST

SKU
1138-01005

### HARD SHEATH (POUCH) SUIT M7R/M8/P7R

- ◆ Durable nylon sheath with double elastic walls to provide space for spare batteries
- ◆ Adjustable attachment loop will fit any size belt



**\$5**  
excl.GST

SKU
1302-00124

### P7R WALL MOUNT BRACKET

- ◆ P7R WALL MOUNT BRACKET



**\$7**  
excl.GST

SKU
1302-00146

### MAGLITE ML150LRX RECHARGEABLE LED FLASHLIGHT KIT FAST CHARGE

- ◆ Output: 1082 lumen
- ◆ Beam distance: 458m
- ◆ Weight with Battery: 431g
- ◆ LED source: LED
- ◆ Battery compatible: 1 x LiFePO4
- ◆ Rechargeable
- ◆ Water resistance: IPX4
- ◆ Drop resistance: 1m



**\$250**  
excl.GST

SKU
1138-86531

### JACK BASE



**\$76**  
excl.GST

SKU
1801-00198

**WC2 PLUG+WIRE**

- ◆ 120mm DIAMETER TOP,
- ◆ 55mm DIAMETER BASE,
- ◆ 160mm HIGH
- ◆ 80per Drum



**\$5**  
excl.GST

SKU
WC2W

**WC4 PLUG+PVC**

- ◆ 180mm DIAMETER TOP,
- ◆ 90mm DIAMETER BASE,
- ◆ 160mm HIGH
- ◆ 50 Per Drum



**\$6**  
excl.GST

SKU
WC4P

**WC4 PLUG+WIRE**

- ◆ 180mm DIAMETER TOP,
- ◆ 90mm DIAMETER BASE,
- ◆ 160mm HIGH
- ◆ 50 per Drum



**\$6**  
excl.GST

SKU
WC4W

**ALUMINIUM TAG 75X25X1MM BLACK ANODISED 2x3mm HOLE**

- ◆ 1 x 3mm Hole Each End
- ◆ Sold in PK's of 50

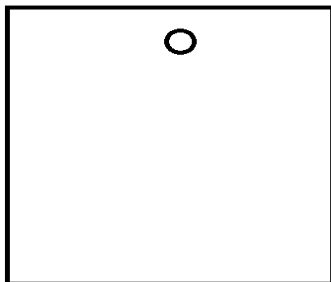


**\$22**  
excl.GST

SKU
AT75X25BLACK

**ALUM TAG 80x80x1mm WITH 1x3mm HOLE ONE END**

- ◆ 1 x 3mm Hole One End
- ◆ Sold in PK's of 100



**\$26**  
excl.GST

SKU
1156-00119

**ALUMINIUM TAG 78mm x 50mm x 1mm**

- ◆ No Holes
- ◆ Sold in PK's of 100



**\$36**  
excl.GST

SKU
1156-00113

**JAN-FEB 2025 Specials**

In-store at Perth branch only. Limited stock available

### REO BAR SAFETY CAP PK/100

- ◆ For increased safety
- ◆ Snugly fits post - no need to tie down
- ◆ Boast unique fins to hold cap in place
- ◆ For use on reo bars 12mm to 20mm



**\$42**  
excl.GST

SKU

1161-00124

### POST CAP 60MM YELLOW BAG/40

- ◆ Safety caps should be used as a visual deterrent and to protect against brush contact with the ends of the reo bar or posts.

**\$32**  
excl.GST



SKU

SPCAP-Y

### POST CAP XL WHITE BAG/20

- ◆ Protective cap & insulator
- ◆ Hi-vis UV resistant polymer
- ◆ Suits Stockpost & Stockpost XL



**\$60**  
excl.GST

SKU

SPCAP-W

### HEADLIGHT LED ENERGIZER HDC323

- ◆ 350 Lumen Brightness
- ◆ 4 hours run time
- ◆ 80 Metre beam distance
- ◆ 7 Light Modes
- ◆ IPX4 water resistance
- ◆ Includes 3 Energizer Max AAA batteries

**\$43**  
excl.GST

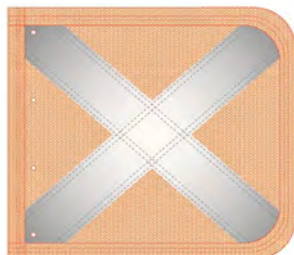


SKU

1138-00011

### SAFETY FLAG 3M - c/w QUICK RELEASE FITTINGS

- ◆ 2015/16 Simpson Desert Compliant.
- ◆ Mine Site Specified.
- ◆ 3 Metrer Fluorescent X Orange Mesh Material with Snap On Base Mount.
- ◆ Double Stitched.



**\$95**  
excl.GST

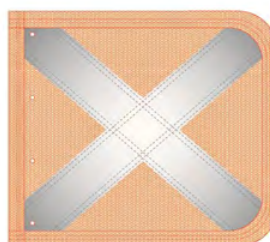
SKU

1801-00707

### 3.0MTR REF X ORANGE MESH FLAG MINEWHIP BOLT-ON BASE

- ◆ 2015/16 Simpson Desert Compliant
- ◆ Mine Site Specified
- ◆ Fluorescent Orange Mesh Material
- ◆ 50mm Wide Silver Reflective Tape
- ◆ Double Stitched

**\$70**  
excl.GST



SKU

1801-00720

**JAN-FEB 2025 Specials**

In-store at Perth branch only. Limited stock available

**BUCKET PLASTIC NALLY WHITE 13.6L**



SKU
1114-00058

**\$18**  
excl.GST

**NEEDLE FILE SET 10 PC**



**\$5**  
excl.GST

SKU
10000262

**BUCKET LID NALLY WHITE 13.6L**

SKU
1114-00059

**\$6**  
excl.GST

**SAFETY SPEC PINK TERMINATOR CLEAR LENS AF**

- ◆ Antifog Lens
- ◆ Clear 92% Lens Transmittance

**\$6**  
excl.GST



SKU
1709-00103-PINK

**UMBRELLA BEACH STEEL 1.85M 90% UV**

- ◆ 1.85 metres breathable canopy to keep you cooler
- ◆ Provides an impressive cover factor from 84% up to 90%
- ◆ White powder-coated steel frame

**\$40**  
excl.GST



SKU
1001-11800

**COOLER ESKY WHEELED BLUE 35L**

- ◆ Durable wheels and convenient carry handle, holds up to 44 cans

**\$85**  
excl.GST



SKU
1005-00056

**WILLOW COOLER JUG 5L NO TAP**

- ◆ Insulated to keep drinks cooler for longer
- Lid doubles as serving cup tough and durable
- Large easy grip carry handle
- Wide base to avoid tipping over.

**\$25**  
excl.GST



SKU
1005-00030

## GLOVES DISPOSABLE VINYL POWDER-FREE

- ◆ Sold per Box of 100pce
- ◆ Latex free - suited for use by those allergic to latex
- ◆ HACCP certified for safe food handling
- ◆ Qty 100pce per Box /Carton = 10 boxes
- ◆ Available in Natural
- ◆ DVNPF - Natural
- ◆ Available Sizes - M, L, XL

**\$6**  
excl. GST



### Standards:

- ◆ ASTM D-5250 - Standard Specification for Polyvinyl Chloride - Gloves for Medical Application
- ◆ EN-455 Part 1 and 2 - European Standard for Medical Gloves
- ◆ HACCP Approvals

SKU	Colour
1704-00010-M	Clear
1704-00010-L	Clear
1704-00010-XL	Clear

## IMPACT HAMMERHEAD GLOVE PK=12

### Features:

- ◆ Nitrile palm coating
- ◆ Armoured impact protection for fingers and back of hand
- ◆ Padded palm minimises vibration induced stress to wrist and arms
- ◆ Ideal for production line and small parts handling
- ◆ Abrasion-resistant saddle
- ◆ Outstanding comfort and flexibility

**\$136**  
excl. GST



### Applications

- ◆ Glass handling
- ◆ Recycling
- ◆ Sheet metal handling
- ◆ Automotive industry

### Standards



### Storage

◆ Store in a dry, cool environment away from direct sunlight. Machine washable between 40°C and 60°C using mild detergents. Do not use any bleaching or oxidising detergents or fabric softeners. Drying temperature should not exceed 70°C

TEST	RESULT
Abrasion	4
Cut Resistance	X
Tear Resistance	4
Puncture Resistance	3
New Cut Resistance TDM-100 Test	D

SKU	Size
1704-00164-08	8
1704-00164-09	9
1704-00164-10	10
1704-00164-11	11

**JAN-FEB 2025 Specials**

In-store at Perth branch only. Limited stock available

**TREBLEX HEAVY DUTY WD LUBE 400G**

◆ Heavy Duty WD Lube provides superior lubrication outstanding penetration capabilities and moisture repellent action. It will give heavy duty anti corrosion protection.

**\$5**  
excl.GST



SKU  
TREBLEX-THDWD

**TREBLEX WIRE ROPE LUBE 350G**

◆ Treblex Wire Rope Lube Oil penetrates, lubricates and maintains the smooth operation of steel wire ropes, cables, winches and pulleys used in mining, marine, construction or any other industrial applications

**\$9**  
excl.GST



SKU  
1203-01109

**TREBLEX BATTERY TERM. PROTECTOR 360G**

◆ Designed to give maximum protection against battery failure.  
◆ It helps maintain electrical voltage performance by protecting terminals, brackets and cables from corrosion.

**\$6**  
excl.GST



SKU  
TREBLEX-TBTP

**OSY SILICONE LUBE 250G AEROSOL**

**\$5**  
excl.GST



SKU  
1401-03001

**MIRROR SIGNAL 125x100mm**

◆ Useful in emergencies, routing signaling or for any mirror application.

**\$22**  
excl.GST



SKU  
1001-11700

**MIRROR SIGNAL 75x50mm**

**\$20**  
excl.GST



SKU  
1001-11701

**SNAKE BITE FIRST AID KIT**

◆ A snake bite requires prompt treatment. The snake bite kit contains all you require to administer the latest snake bite first aid techniques. Easy to carry when you are in the bush.

**\$12**  
excl.GST



SKU  
1702-01614

**JAN-FEB 2025 Specials**

In-store at Perth branch only. Limited stock available

**REPELLENT LOW SCENT PUMP 135ML**

◆ Repels against mosquitoes, flies, sandflies and other annoying and biting insects for up to 6 hours.



**\$9**  
excl. GST

SKU

1001-11405

**REPELLANT AEROGARD TROPICAL 300G**

◆ Aerogard Tropical Strength range provides up to 8 hours of protection from mozzies, sandflies and leeches. It also repels flies, ticks and other annoying and biting insects.



**\$15**  
excl. GST

SKU

1001-11409

**BUSHMAN ULTRA AEROSOL 130G**

◆ Aerosol delivery system  
◆ Water, sweat and rub resistant  
◆ Pleasant neutral odour



**\$11**  
excl. GST

SKU

1001-11432

**NATURES BOTANICALS PUMP SPRAY 500ML**

◆ Convenient if you need to apply it to large surface areas of skin or multiple people.  
◆ It is not an aerosol which means you do not lose a lot in the air.  
◆ It has an adjustable spray nozzle.



**\$36**  
excl. GST

SKU

1001-11403

**RID TROPICAL 150G AEROSOL**

◆ Contains 19.5% DEET at safe levels to effectively repel for 6 hours



**\$6**  
excl. GST

SKU

1001-11412

**REPELLANT AEROGARD TROPICAL 150G**

◆ Aerogard Tropical Strength range provides up to 8 hours of protection from mozzies, sandflies and leeches. It also repels flies, ticks and other annoying and biting insects.



**\$13**  
excl. GST

SKU

1001-11408

**JAN-FEB 2025 Specials**

In-store at Perth branch only. Limited stock available

### BATTERY 6V LANTERN INDUSTRIAL

- ◆ The alkaline battery system offers considerably higher capacity than zinc-carbon equivalents
- ◆ Ideal when length of battery life is the primary consideration
- ◆ Heavy duty 6-volt battery

**\$4**  
excl. GST



SKU  
1111-00025

### PLANT OPERATORS LOG BOOK

- ◆ The BROWN BOOK – PLANT & MACHINERY OPERATOR LOG BOOK is perfect for all plant & machinery.

**\$20**  
excl. GST



SKU  
1112-10015

### INCLINOMETER DIGITAL BOSCH GIM 60

Includes:

- ◆ 1 x GIM60 Digital Inclinometer
- ◆ 1 x Protective Bag
- ◆ 4 x 1.5 V LR6 battery (AA)
- ◆ Length: 60cm
- ◆ Measurement Range: 0° – 360° (4 x 90°)
- ◆ Electronics Measurement Accuracy 0°/90°: ± 0.05°

**\$148**  
excl. GST

SKU  
1163-00101



### PELICAN CASE 1620 WITH FOAM BLACK

- ◆ Internal: 54.6 x 41.7 x 31.9 cm

**\$500**  
excl. GST

SKU  
1115-01055



### SAFE CASE EXTRA LARGE 515MM

- ◆ Internal 485 x 355 x 186mm

**\$170**  
excl. GST

SKU  
1115-02000

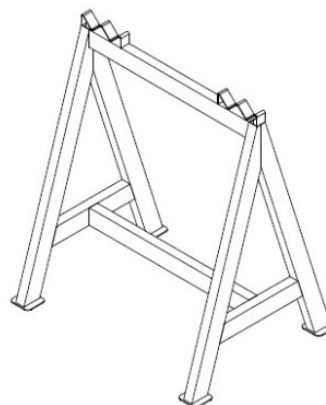


### TRESTLE A FRAME-RIGID

- ◆ 760mmW x 900mmH

**\$450**  
excl. GST

SKU  
1128-00000





**JAN-FEB 2025 Specials**

In-store at Perth branch only. Limited stock available

**eniQ**

**ENIQ ELECTROLYTE-20G SACHETS**

Each Bag contains 24 x 20g sachets.



**\$40**  
excl. GST

SKU	Flavour
1717-00076-L	Lemon Lime
1717-00076-M	Mango
1717-00076-N	Neutral
1717-00076-R	Raspberry

**Features & Benefits**

eniQ products are made in Western Australia, scientifically formulated in eniQ built facility in Perth, from premium and natural ingredients sourced worldwide.

Designed to re-hydrate with healthy ingredients, supply sustained energy and help muscles recover and prepare for the next challenge. eniQ nutritionists, sports scientists and pharmaceutical professionals have produced unique and powerful energy, recovery and wellness products for you to lead an active and physical life.

Perfect for workers to hydrate and maintain energy levels before and during long work shifts, particularly in extreme conditions.

**The eniQ Electrolyte is perfect to hydrate & maintain energy levels before & during exercise.**

- 01 Scientifically formulated to reduce fatigue & improve performance.
- 02 Contains multiple transferable carbohydrates. Maltodextrin for immediate energy & Isomaltulose for sustained energy.
- 03 Balanced sodium content replaces sodium lost in sweat.
- 04 A pH of 6 reduces tooth erosion.
- 05 All natural fruit flavours.
- 06 No artificial colours, flavours or preservatives.
- 07 No lingering after taste.

**Serving Size**

1 x 20g scoop in 300mL water = 1 serve  
or 1 x 20g sachet in 300mL water = 1 serve  
24 sachets = 24 serves  
1kg tub = 50 serves

eniQ products have been HASTA Certified.

Certifying a product involves not just testing, but verification of the manufacturing quality controls that are in place. If a product has the "HASTA Certified" seal on pack, it means that every batch has been tested for over 200 WADA prohibited substances.

"HASTA™ used under licence"



	Quantity per serving (made to 300mL with water)	Quantity per 100g
<b>Energy</b>	316 kJ	1579 kJ
<b>Protein</b>	0.07 g	0.37 g
<b>Fat</b>		
- Total	0.02 g	0.09 g
- Saturated	0.01 g	0.03 g
<b>Carbohydrate</b>		
- Total	18.06 g	90.29 g
- Sugars	4.93 g	24.63 g
<b>Dietary Fibre</b>	0.36 g	1.80 g
<b>Sodium</b>	97 mg	484 mg
<b>Raspberry</b>		

	Quantity per serving (made to 300mL with water)	Quantity per 100g
<b>Energy</b>	318 kJ	1590 kJ
<b>Protein</b>	less than 0.1 g	less than 0.2 g
<b>Fat</b>		
- Total	0 g	0 g
- Saturated	0 g	0 g
<b>Carbohydrate</b>		
- Total	19.1 g	95.7 g
- Sugars	4.18 g	20.9 g
<b>Dietary Fibre</b>	0.02 g	0.09 g
<b>Sodium</b>	99 mg	494 mg
<b>Vitamin B2</b>	5 mg	25 mg
<b>Lemon Lime</b>		

	Quantity per serving (made to 300mL with water)	Quantity per 100g
<b>Energy</b>	316 kJ	1580 kJ
<b>Protein</b>	less than 0.1 g	0.38 g
<b>Fat</b>		
- Total	0 g	0 g
- Saturated	0 g	0 g
<b>Carbohydrate</b>		
- Total	18.7 g	93.5 g
- Sugars	5.42 g	27.1 g
<b>Dietary Fibre</b>	0.06 g	0.3 g
<b>Sodium</b>	93.5 mg	467 mg
<b>Vitamin B2</b>	5 mg	25 mg
<b>Mango</b>		

	Quantity per serving (made to 300mL with water)	Quantity per 100g
<b>Energy</b>	318 kJ	1590 kJ
<b>Protein</b>	0 g	0 g
<b>Fat</b>		
- Total	0 g	0 g
- Saturated	0 g	0 g
<b>Carbohydrate</b>		
- Total	18.8 g	93.7 g
- Sugars	15.0 g	75.2 g
<b>Dietary Fibre</b>	0 g	0 g
<b>Sodium</b>	100 mg	503 mg
<b>Neutral</b>		

**JAN-FEB 2025 Specials**

In-store at Perth branch only. Limited stock available

**HI-VIS REFLECTIVE FLUORO ORANGE HEADSKINZ**

- ◆ These Hi-Vis Reflective Fluoro Orange or Yellow Headskinz are perfect on the work site, on the bike, or anywhere you need to be seen and stand out. They have the same fluoro Orange or Yellow colour as safety vests. Great for PPE, warehouse staff, mining, construction, landscaping, agriculture, mowing lawns and so many more. Wear them to keep warm, or protect your face/head.
- ◆ Headskinz offer Sun, Wind and Debris protection, 100% moisture-wicking polyester microfiber. Approx. 50cm x 25cm. One size fits most. Machine wash cold. Washing line dry.
- ◆ Make a statement, express yourself, and protect against the elements! (Dust, Dirt, Wind, Sun and Cold)

SKU	Colour
1705-00087	FL Orange
1705-00083	FL Yellow



**\$10**  
excl. GST

**GOBI OVER HAT**

- ◆ The Gobi Over Hat adds excellent sun protection to most hard hats

SKU	Colour
1705-00040	FL Orange
1705-00041	FL Yellow



**\$25**  
excl. GST



**JAN-FEB 2025 Specials**

In-store at Perth branch only. Limited stock available

### TURBOPAN GREEN

- ◆ These Turbopan combines two proven gold performers the sluice and the pan, and is easy to use.
- ◆ The sluice riffles trap gold. The clean-up riffles make sure you keep it.

**\$12**  
excl.GST



SKU	Size
1132-00501-GRN	25cm
1132-00502-GRN	40cm

### GARRETT PLASTIC SAND SCOOP YELLOW

- ◆ Moulded Body
- ◆ Durable



**\$40**  
excl.GST

SKU
1132-03007

### TURBOPAN STARTER KIT

- ◆ 1 x Haversack/carry bag
- ◆ 1 x 25cm Turbopan
- ◆ 1 x Snuffer and vial combo
- ◆ 1 x Plastic scoop
- ◆ 1x Basic instruction leaflet

**\$35**  
excl.GST



SKU
1132-00507

### THORNY DEVIL RECOVERY HITCH WITH BOW SHACKLE 4750KG

- ◆ Max Capacity: 4750kg
- ◆ Suits 50mm hitch receiver



**\$40**  
excl.GST

SKU
1804-00188

### HAND MAGNET

- ◆ A magnetic pickup tool for lifting and handling small ferrous parts, bolts, nuts, washers etc. Easy to use with a rugged long lasting construction with cast aluminium body. Parts are removed by lifting the release handle.

**\$185**  
excl.GST



SKU
1132-02001

### DETONATOR WIRE e FIG 8 ROUND WHITE 500M

- ◆ Detonated Wire
- ◆ 1 Pair, 1/0.71mm PACW, PVC Insulated, Twin Twisted
- ◆ 43.6 ohms/Km (nominal)
- ◆ 150 Megohm-Km (minimum)
- ◆ Red and White
- ◆ PVC, V90HT to AS3808
- ◆ Overall Diameter: 1.3 mm (nominal)
- ◆ Roll of 500mtrs

**\$130**  
excl.GST



SKU
1203-00118

## JAN-FEB 2025 Specials

In-store at Perth branch only. Limited stock available

### TURBOPAN GLASS VIAL 4PKT

- ◆The 10z Gold Vial by Turbopan is made from glass with a screw top cap, now in a 4-pack.
- ◆The vial is perfect for storing and transporting any gold fragments you may find.



**\$5**  
excl.GST

SKU
1132-00509

### TURBOPAN SNUFFER /VIAL COMBO

- ◆The re-sealable packaging allows for quick access and easy storage.
- ◆The snuffer bottle is an easy and secure way of obtaining gold specks from a gold pan.
- ◆The snuffer works like a vacuum, squeeze the bottle and the gold will be sucked into the bottle.



**\$7**  
excl.GST

SKU
1132-00508

### GARRETT HAND HELD PRO-POINTER AT

- ◆The Pro-Pointer AT provides all terrain versatility for locating and pinpointing metallic targets. It is environmentally protected from the elements and is fully submersible to a maximum depth of 20 feet or 6 meters.



**\$232**  
excl.GST

SKU
1132-03011

### PAN GOLD WHITE METAL

- ◆Estwing Metal Gold Pan
- ◆Powder Coated White
- ◆All three sizes reduced



**\$23**  
excl.GST

SKU	Size
1132-00121	12"
1132-00122	14"
1132-00123	16"

### PELICAN PICK C/W WOOD HANDLE

- ◆The pelican pick will shovel, hoe, scrape, dig trenches and pick. It is extremely durable and will stand up to the roughest treatment. Manufactured from high grade heavy gauge steel plate, the pelican pick is virtually indestructible.



**\$60**  
excl.GST

SKU
1209-00587

### PELICAN PICK C/W COMP HANDLE

- ◆The pelican pick will shovel, hoe, scrape, dig trenches and pick. It is extremely durable and will stand up to the roughest treatment. Manufactured from high grade heavy gauge steel plate, the pelican pick is virtually indestructible.



**\$52**  
excl.GST

SKU
1209-00586

**Make an offer to take the Lot!**

**JAN-FEB 2025 Specials**

In-store at Perth branch only. Limited stock available

**PLASSON**  
AUSTRALIA

### PLASSON COUPLING POLY

SKU	Size	UOM	Ex Gst
1901-70042	32mm	Each	<b>\$5</b>
1901-70044	50mm	Each	<b>\$15</b>
1901-70045	63mm	Each	<b>\$16</b>
1901-70046	75mm	Each	<b>\$32</b>
1901-70047	90mm	Each	<b>\$50</b>
1901-70036	110mm	Each	<b>\$89</b>



### PLASSON METRIC CHAMFER TOOL

SKU	Size	UOM	Ex Gst
1901-70048	20-63mm	Each	<b>\$80</b>



### PLASSON METRIC ELBOW 90D

SKU	Size	UOM	Ex Gst
1901-70062	32-32	Each	<b>\$7</b>
1901-70065	63-63	Each	<b>\$21</b>



### PLASSON METRIC MALE ADAPTER

SKU	Size	UOM	Ex Gst
1901-70114	32mm-1"	Each	<b>\$4</b>
1901-70126	50mm-2"	Each	<b>\$8</b>



### PLASSON METRIC TEE 90D

SKU	Size	UOM	Ex Gst
1901-70149	32-32-32	Each	<b>\$12</b>
1901-70144	110-110-110	Each	<b>\$145</b>



**JAN-FEB 2025 Specials**

In-store at Perth branch only. Limited stock available

### DISPOSABLE PROTECTIVE FACE MASK BOX-50

- ♦Moderate Face Mask 3ply ASTM Level 2 TGA - White

SKU	UOM
1711-00054	Box of 50


**\$11**  
 excl.GST

### RESPIRATOR P2 NO VALVE

- ♦Certified to AS/NZS 1716:2012 Respiratory Protective Devices.
- ♦P2 disposable respirator for protection against mechanically & thermally generated particles.
- ♦Dual latex free elastic straps for ease of donning & doffing.

SKU	UOM
1711-00058	Box of 10


**\$31**  
 excl.GST

### PARTICULATE RESPIRATOR 3M8210 - N95 20/BOX

- ♦NIOSH approved for at least 95 percent filtration efficiency against certain non-oil based particles
- ♦Two-strap design with welded dual point attachment helps provide a secure seal
- ♦Cushioning nose foam

SKU	UOM
1711-00111	Box of 20


**\$41**  
 excl.GST

### PRO CHOICE SAFETY GEAR DISPOSABLE FACE MASK BLUE 3 PLY

- ♦Protection against Dust, Pollen & Airborne Droplets.
- ♦3 Layer Filtration construction.
- ♦Adjustable Nose Bridge & Earloops for optimal fit.
- ♦Disposable Non-Medical, Single Use.
- ♦Qty/Box - 50 pieces
- ♦Qty/Carton - 40 boxes (2000 pieces)
- ♦Bacterial Filtration Efficiency (BFE) more than or equal to 95%

SKU	UOM
1711-10009	Box of 50


**\$12**  
 excl.GST

**BRICK SAW 14" PORTABLE 2.2KW 240V 15AMP WITH V-GUIDE**

A tough work-horse. Whether it's on the building site, hire shops or testing lab, this machine will 'cut' your work time.

It's efficient, durable and rugged. Pavers and bricks are sliced with precision, making your job much faster and easier.

**Features**

- ◆ Designed for portability and strength. A 3mm laser cut and folded structural steel frame is fitted with structural cross members to provide maximum rigidity.
- ◆ Foot Control allows greater control for difficult jobs
- ◆ Portable with detachable stand for ease of movement



SKU	UOM
1147-02000	EACH

**BRICK SAW HEAVY DUTY 14" PETROL 5.5HP WITH CORE HOLDER**



- ◆ Heavy Duty Block Saw
- ◆ Maximum capacity and production masonry saw
- ◆ Sawing large blocks and stones is a wonder with this Block Saw

SKU	UOM
1147-02003	EACH

**Make an offer to take the Lot!**

**JAN-FEB 2025 Specials**

In-store at Perth branch only. Limited stock available

## PVC PIN FLAG

Suitable for mining, construction, surveying, civil works and other applications.  
 Sold as each, comes in packs of 100.

- ◆ Bright colours including glo.
- ◆ UV stabilised.
- ◆ Australian made.
- ◆ Used for marking underground cables, pipes etc.



SKU	Size	UOM	Ex Gst
PVC500-GB	500x2.5mm-Glo-Blue	Each	30c
PVC500PINK-BLACK	500x2.5mm-Pink-Black	Each	35c
PVC700-Y	700x3.15mm-Yellow	Each	40c
PVC900-B	900x3.15mm-Dark Blue	Each	50c
PVC900-G	900x3.15mm-Dark Green	Each	50c
PVC900-GB	900x3.15mm-Glo-Blue	Each	50c
1145-00501	900x3.15mm-Glo-Green	Each	50c
PVC900-L	900x3.15mm-Lime	Each	50c
PVC900-Y	900x3.15mm-Yellow	Each	50c

## SPRAY WRITER PLANTATION

- ◆ Forestry & Plantation Marking Paint 350g
- ◆ Toluene-free formula
- ◆ Ideal for all natural and cut timber applications
- ◆ Will mark wet surfaces without cracking and peeling
- ◆ Unique formulation reduces spray drift allowing maximum accuracy of spray pattern
- ◆ Ideal for the forestry and timber processing industries



**\$5**  
excl. GST

SKU	Size	UOM
SW02	Red	Each
SW03	White	Each
SW04	Blue	Each
SW08	Green	Each



## V4K ULTRA HIGH DEFINITION USB DOCUMENT CAMERA

- ◆ Ultra High Definition 8MP USB Document Camera
- ◆ Mac OS, Windows, Chromebook Compatible
- ◆ Features an 8 megapixel camera for capturing ultra high definition live images up to 3264 x 2448 pixels
- ◆ High frame rate for lag-free live streaming – streams at up to 30 fps at full HD, and up to 15 fps at 3264 x 2448 pixels
- ◆ Fast focusing speed helps minimize interruptions for frequent switching between different materials; features Sony CMOS image sensor for exceptional noise reduction and color reproduction
- ◆ Newly designed multi-jointed stand offers a simple fix for tightening loose joints caused by heavy daily use

**\$180**  
excl. GST



<b>SKU</b>
1144-00044



**JAN-FEB 2025 Specials**

In-store at Perth branch only. Limited stock available

**SAFEGUARD CARGO CARRY BAG SMALL**

◆ Size: 450mm x 150mm x 260mm



**\$22**  
excl.GST

SKU
1801-00250-S

**SAFEGUARD CARGO CARRY BAG LARGE**

◆ Size: 500mm x 200mm x 350mm



**\$31**  
excl.GST

SKU
1801-00250-L

**RECOVERY BLANKET (DAMPER)**

◆ Designed to eliminate the whipping action of a strap or winch cable in the event of failure, they reduce the possibility of personal injury and vehicle damage.

◆ The damper comes in a high visibility safety orange with reflective tape for both day and night use. To install, simply fold the damper over the strap or cable and position midway between the vehicle and recovery strap.

**\$34**  
excl.GST

SKU
1801-10003



**A - VICTORY GREEN RIVER DIVE KNIFE 17CM**

**B - VICTORY GREEN RIVER FLEX SHEATH 17CM**

- ◆ Large belt holder fit up to 110mm (4-5") size belt (great for Riggers);
- ◆ Drain holes so water & dirt will clean easy from sheath.

Image	SKU	Ex Gst
A	1137-02001	<b>\$28</b>
B	1137-02002	<b>\$18</b>



## BRUNTON OMNI SIGHTING COMPASS LED ZONE 1 LUMINOUS—NORTHERN

Offers precision measurements of horizontal bearings through direct sighting.

Allows for 4 different scales of bearing measurements:

Scale 1: MILS (0-6400)

Scale 2: Quadrant 0-90°

Scale 3: Reciprocal Azimuth 0-360°

Scale 4: Azimuth 0-360°

Dual readings on the top dial face in Azimuth or Quadrant with 5° graduations.

LED option provides enhanced readability in low light conditions.

Sapphire jewel bearing with anti-static dampening fluid.

Available in Northern Hemisphere, Equatorial, and Southern Hemisphere models.

Offers up to 10x magnification with an adjustable lens.

Designed with a CNC machined anodized aluminium housing and shock absorbing silicone cover.

Use as a stand-alone unit or thread onto a Jacob's Staff or non-magnetic tripod, with built-in threads.

Comes with a protective leather case, perfect for carrying in the field.

### Specifications

Dimensions: 2.5 x 3.5 x 0.5 in | 76.3 x 8.8 x 1.3 cm.

Weight: 11.8 oz | 335.6 g.

Top View Azimuth: 5° graduations w/ ± 2.5° accuracy.

Side View Azimuth: 1° graduations w/ ± 0.5° accuracy.

Side View Mils: 20 mils w/ 10 mils accuracy.



**\$185**  
excl. GST

SKU

1119-00001-LED

## BRUNTON OMNI SIGHTING COMPASS LED ZONE 2 LUMINOUS—EQUATORIAL

Offers precision measurements of horizontal bearings through direct sighting.

Allows for 4 different scales of bearing measurements:

Scale 1: MILS (0-6400)

Scale 2: Quadrant 0-90°

Scale 3: Reciprocal Azimuth 0-360°

Scale 4: Azimuth 0-360°

Dual readings on the top dial face in Azimuth or Quadrant with 5° graduations.

LED option provides enhanced readability in low light conditions.

Sapphire jewel bearing with anti-static dampening fluid.

Available in Northern Hemisphere, Equatorial, and Southern Hemisphere models.

Offers up to 10x magnification with an adjustable lens.

Designed with a CNC machined anodized aluminium housing and shock absorbing silicone cover.

Use as a stand-alone unit or thread onto a Jacob's Staff or non-magnetic tripod, with built-in threads.

Comes with a protective leather case, perfect for carrying in the field.

### Specifications

Dimensions: 2.5 x 3.5 x 0.5 in | 76.3 x 8.8 x 1.3 cm.

Weight: 11.8 oz | 335.6 g.

Top View Azimuth: 5° graduations w/ ± 2.5° accuracy.

Side View Azimuth: 1° graduations w/ ± 0.5° accuracy.

Side View Mils: 20 mils w/ 10 mils accuracy.



**\$285**  
excl. GST

SKU

1119-00002-LED

**JAN-FEB 2025 Specials**

In-store at Perth branch only. Limited stock available

**FUEL CAN METAL 2L**



**\$8**  
excl.GST

SKU
1001-11515

**SHOVEL ROUND MOUTH FIBERGLASS LONG HANDLE**

- ◆ Ideal for Digging, Shoveling, Spreading & Shifting
- ◆ Trade Quality 3mm Fibreglass Shaft
- ◆ Soft Grip End Cap & Centre Grip
- ◆ 40mm Reinforced Steel Collar
- ◆ Carbon Steel Head

**\$45**  
excl.GST



SKU
1209-10005

**QUARTET WHITEBOARD CLEANER 500ML**



**\$7**  
excl.GST

SKU
1603-00381

**STIMELA METAGARD MINING BOOT SIZE 12**

- ◆ Steel toe cap and midsole
- ◆ Fully integrated metatarsal protection
- ◆ Oil & acid resistant, 25-part nitrile
- ◆ Lightweight - only weighs 2.4kg

**\$50**  
excl.GST



SKU	UOM
1703-00020-12	Pair

**SHOVEL SQUARE MOUTH TIMBER LONG HANDLE**

- ◆ General purpose shovel for shifting, loading and spreading heavy to light materials
- ◆ Long timber handle for extra leverage

**\$55**  
excl.GST

SKU
1209-10012



**OLIGHT SEEKER 3 PRO 4200 LUMENS FLASHLIGHT BLACK**

- ◆ High Performance: 4 high-performance LEDs for an amazingly bright 4,200 lumens, 31% higher than the Seeker 2 Pro.

**\$150**  
excl.GST



SKU
1001-00229

**JAN-FEB 2025 Specials**

In-store at Perth branch only. Limited stock available

**FIRE RAKE HOE**

- ◆ Ideal for use in Firefighting, Clearing of Fire Debris Such as Bark or Other Combustible Materials
- ◆ Forged & Riveted Head & Socket
- ◆ Heat Treated & Tempered Blade
- ◆ Sharpened Edge for Cutting & Chopping Small Limbs
- ◆ Long Hardwood Handle



**\$40**  
excl.GST

SKU
1209-10031

**SHOVEL CONTRACTOR SM-DH ERGONOMIC**

- ◆ Length 980mm
- ◆ Blade 255 x 300mm



**\$110**  
excl.GST

SKU
BN02

**FIRST AID KIT WORKPLACE METAL WALL CABINET 1-25 PERSON HR**

National Industrial First Aid Kit - High Risk. Designed In Accordance With Safe Work Australia'S First Aid Code Of Practice (July 2019).



**\$75**  
excl.GST

SKU
1702-01703-M

**HIGH LIFT JACK - FIX IT KIT (E)**



**\$45**  
excl.GST

SKU
1801-00024

**HYDROCHLORIC ACID 10% 1000ML**



**\$15**  
excl.GST

SKU
HCL1000ML

**EZE LAP CREDIT CARD STONE 2" x 3.1/4" #201 FINE**

- ◆ Fine diamond grit; 600 grit; our best general purpose grit
- ◆ Credit card size makes it easy to store and/or carry
- ◆ Longest lasting and most durable sharpening tools available



**\$28**  
excl.GST

SKU
EZELAP-201